

Location: _____

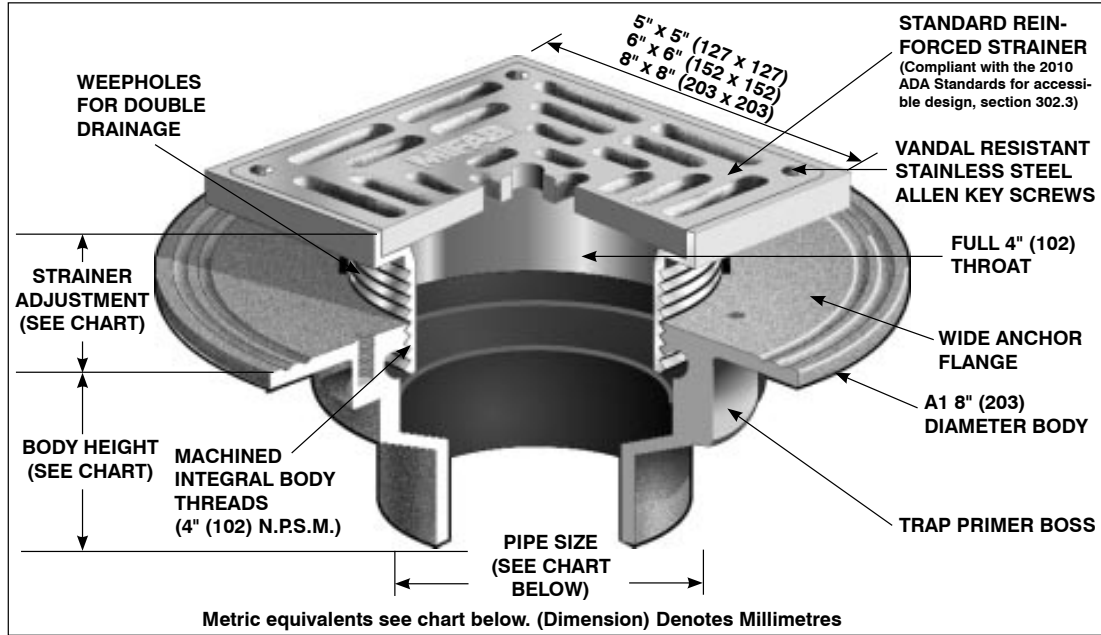


F1100-S

SQUARE FLOOR DRAIN FOR NON-MEMBRANE FLOOR AREAS

Specification: MIFAB® Series F1100-S lacquered cast iron floor drain with anchor flange, weepholes, and standard reinforced, (specify size) square (specify material finish) strainer. (For membrane floors, use MIFAB F1100-C-S Series.)

Function: Used in showers, kitchens, restrooms and other non-membrane finished areas. Square adjustable strainer is used for floors that are finished of material or straight line patterns.



PARTS:



A1 BODY



S*(-)**

(*) Denotes Strainer Size (5"x5", 6"x6", 8"x8" or 10"x10")
 (**) Denotes Strainer Finish (-1, -3 or -4)

F1100-S Series meets ANSI-ASME floor drain standard A112.6.3-2001

STRAINER SIZE	STRAINER ADJUSTMENT		ANSI/ASME RATING				PIPE SIZE	BODY HEIGHT				
			FREE AREA	LOAD RATING				NO HUB (STANDARD)	PUSH ON (P)	THREADED (T)	INSIDE CAULK (X)	PVC/ABS (-30)/(-31)
	N.B. (-1)	S.S. (-3)		D.I. (-4)	MIN	MAX						
5" x 5" (127 x 127)	5/8" (15)	1 9/16" (40)	9 in ² (5800 ²)	UP TO 2000 LBS.	5000- 7499 LBS.	--	2" (51) 3" (76)	3" (76) 3" (76)	3 3/8" (86) 3 3/8" (86)	2 1/4" (57) 2 5/8" (67)	3 3/4" (95) 3 3/4" (95)	2 15/16" (75) 3 3/4" (95)
6" x 6" (152 x 152)	7/8" (22)	1 9/16" (40)	12 in ² (7700 ²)	UP TO 2000 LBS.	5000- 7499 LBS.	--	4" (102) 5" (127)	3" (76) 3" (76)	3 3/8" (86) --	2 5/8" (67) 2 5/8" (67)	3 3/4" (95) 3 3/4" (95)	3 3/4" (95) --
8" x 8" (203 x 203)	1 1/4" (32)	2 3/16" (56)	26 in ² (16800 ²)	UP TO 2000 LBS.	5000- 7499 LBS.	OVER 10000 LBS.	6" (152)	3 1/4" (83)	6 1/2" (165)	--	--	--
10" x 10" (254 x 254)	1 1/4" (32)	2 3/16" (56)	28 in ² (19913 ²)	--	5000-7499 LBS.	--						

- SUFFIX OPTIONAL VARIATIONS**
- 1 Nickel bronze strainer
 - 3 Stainless steel strainer
 - 4 Ductile iron grate (8" x 8" only)
 - 5 Sediment bucket
 - 6 Security screws (T-20 Torx & pin)
 - 7 1/2" trap seal primer connection
 - 8 Backwater valve (2", 3", 4")
 - 11 Acid resistant epoxy coated body
 - 13 Galvanized body
 - 15 Extension
 - 21 Secondary flat stainless steel strainer (2", 3", 4")
 - 28 Stainless steel body (Type 304)
 - 30 PVC socket connection body
 - 31 ABS socket connection body
 - 34 Closure plug
 - 40 Underdeck clamp
 - 41 Sump receiver
 - 49 Chrome Plated Strainer

- SUFFIX OPTIONAL VARIATIONS**
- 90 Threaded side outlet (2", 3", 4") (cast iron only)
 - 90NH No hub side outlet (2", 3", 4") (cast iron only)
 - 95 Client logo
 - BA Minimum 51% material cost made in the USA
 - C Membrane clamp for low rough-in (min. 1/2" (13))
 - C2 High rough-in membrane clamp (min. 1 9/16" (40))
 - F6 6" Round funnel
 - (Standard) No hub outlet
 - G Oval 4" x 9" funnel
 - HP Heel proof grate (1/4" maximum grate opening size, -3 only)
 - J 6" x 3" x 1" funnel
 - MG MI-GARD Floor Drain Trap Sealer (2", 3" or 4")
 - P Push on outlet
 - PA Pennsylvania Steel Act compliant product
 - T Threaded outlet (2", 3", 4")
 - X Inside caulk outlet
 - Z Extended wide elastomeric flange

CALIFORNIA PROPOSITION 65 WARNING. This product contains chemicals known to the State of California to cause cancer and birth defects or other reproductive harm.

Job Name: _____ Page No: _____
 Section No: _____ Contractor: _____
 Schedule No: _____ Purchase Order No: _____